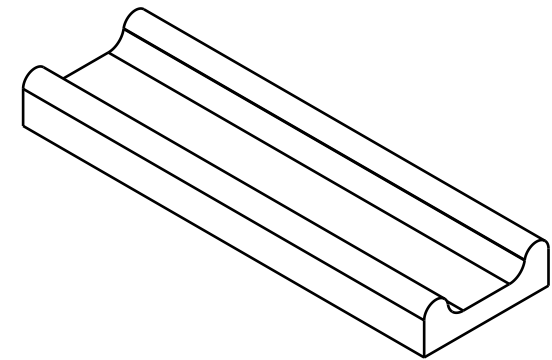
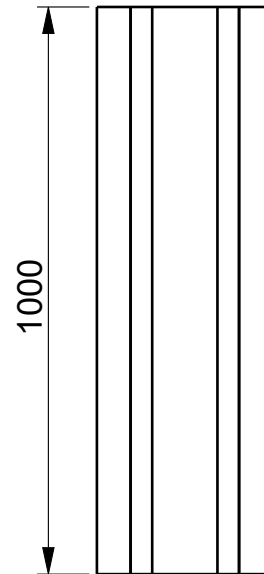
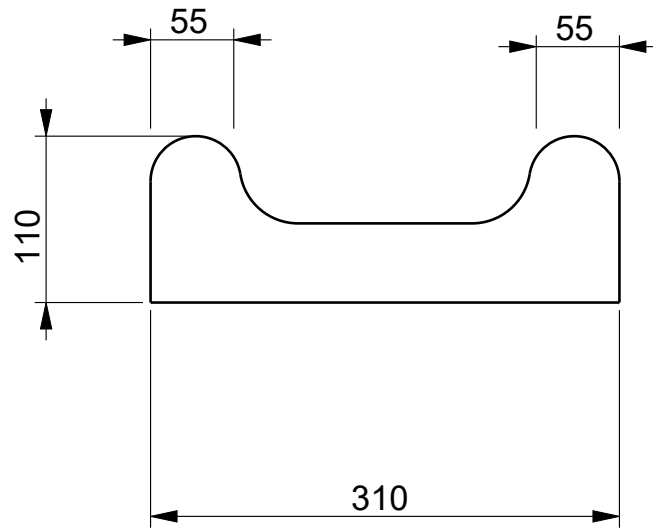


SECTION VIEW



MODEL NAME

C078

DESCRIPTION

WATER CHANNEL